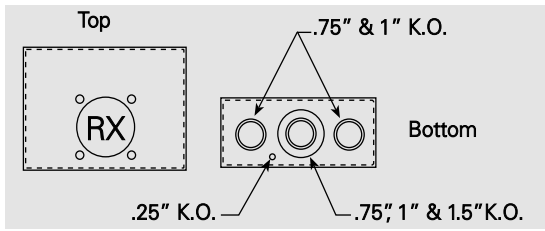


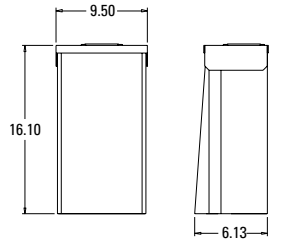
# Temporary Power Outlet Panels

## Dimension Drawings

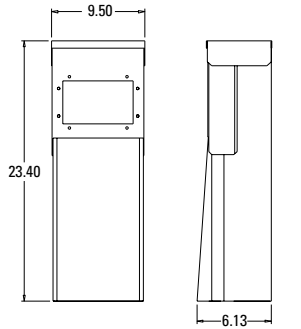
### STANDARD KNOCKOUT PATTERN



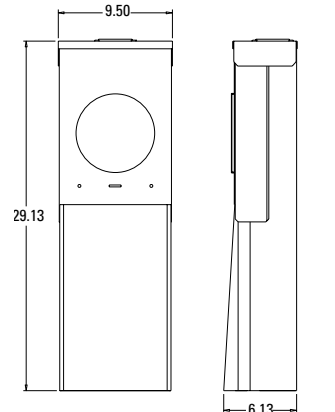
The knockout diagram shown at left is to be referenced for all surface mount devices



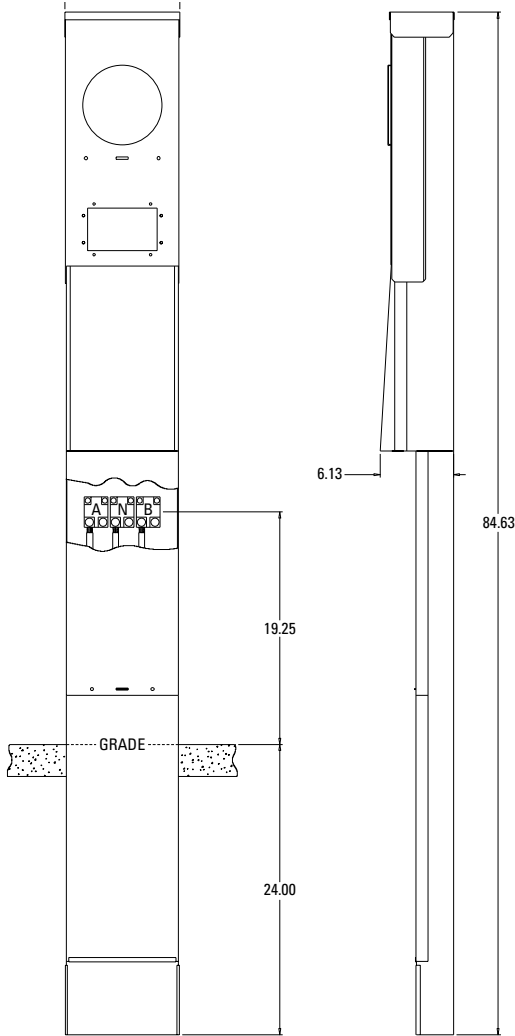
**SURFACE**



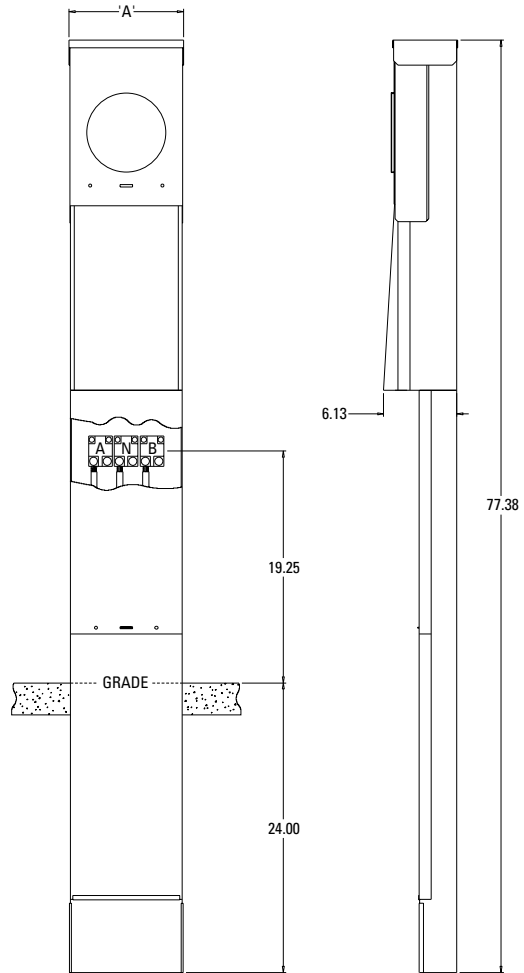
**LIGHTED SURFACE**



**METERED SURFACE**



**METERED LIGHTED PEDESTAL**



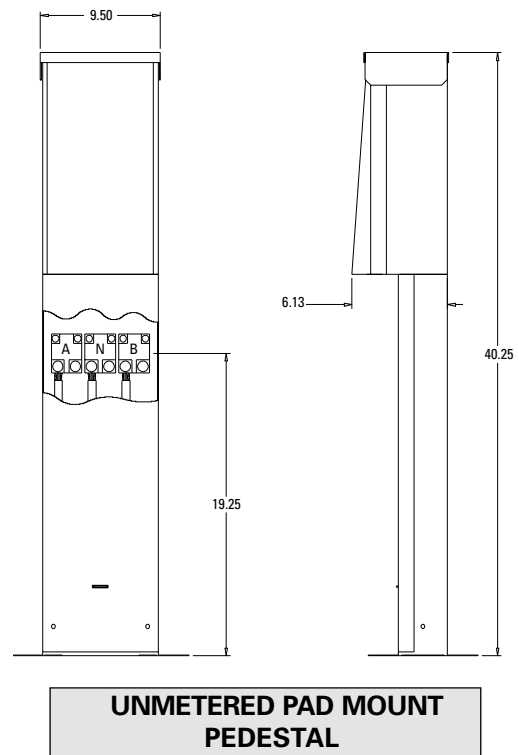
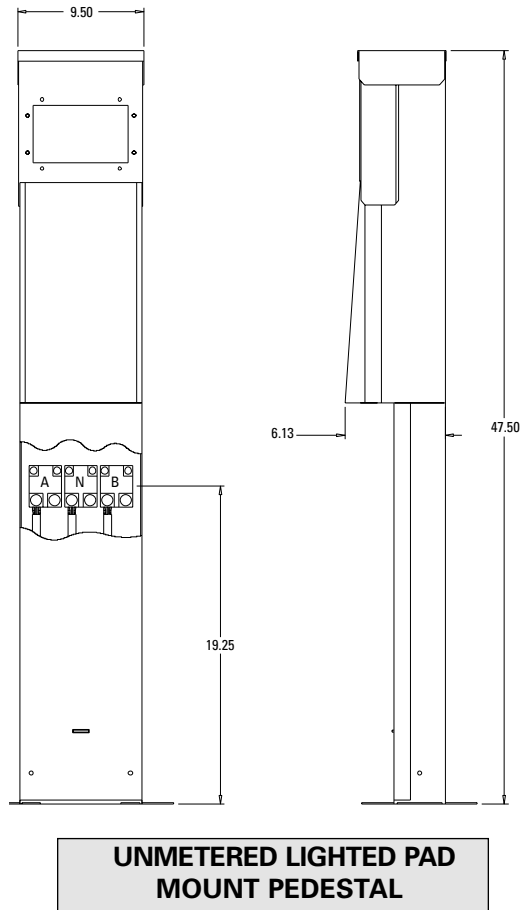
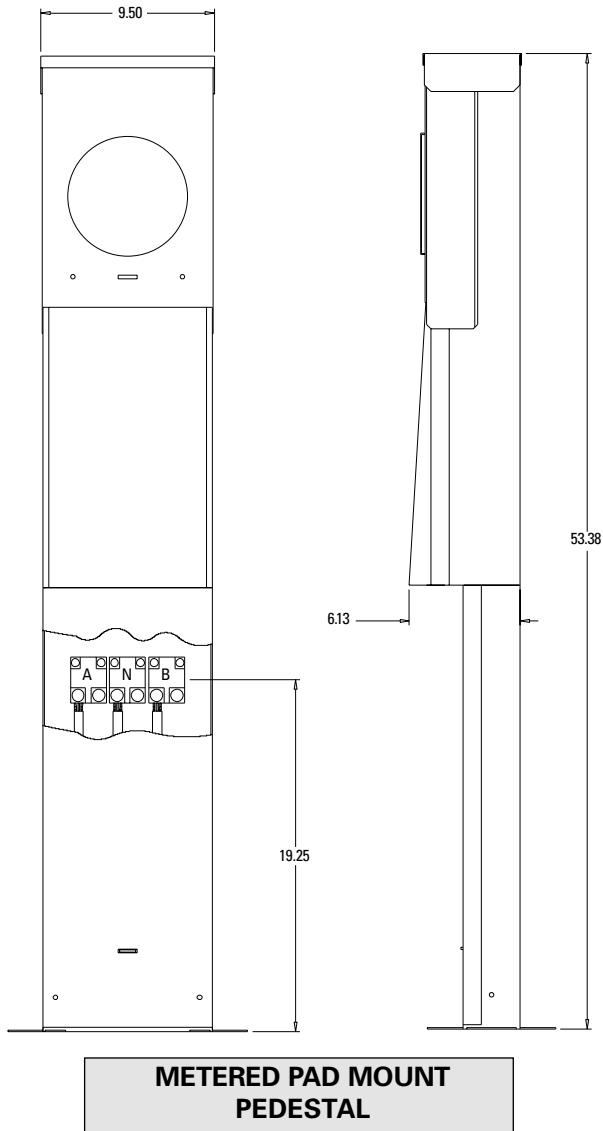
**METERED PEDESTAL**

4 TEMPORARY POWER  
OUTLET PANELS

# Temporary Power Outlet Panels

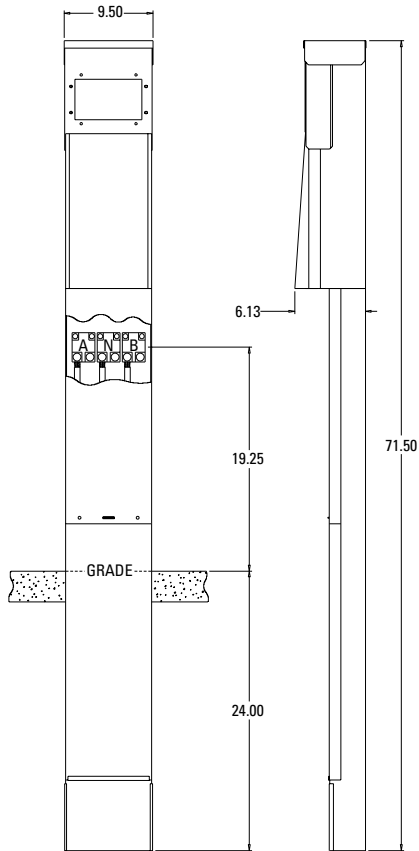
## Dimension Drawings

TEMPORARY POWER  
4  
OUTLET PANELS

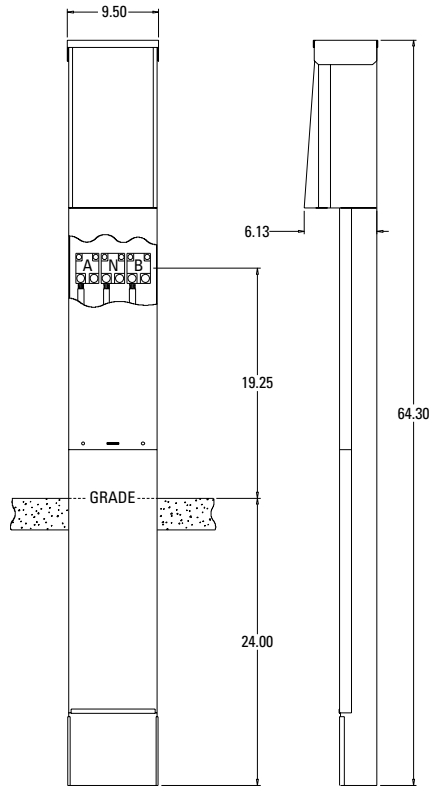


# Temporary Power Outlet Panels

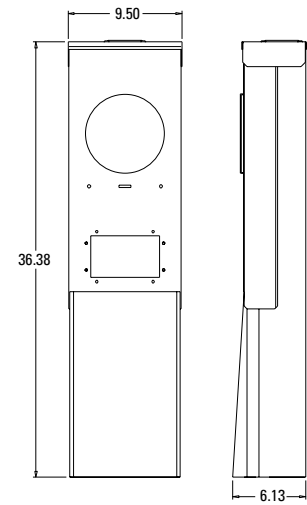
## Dimension Drawings



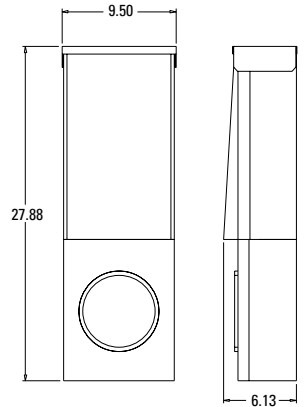
**UNMETERED LIGHTED PEDESTAL**



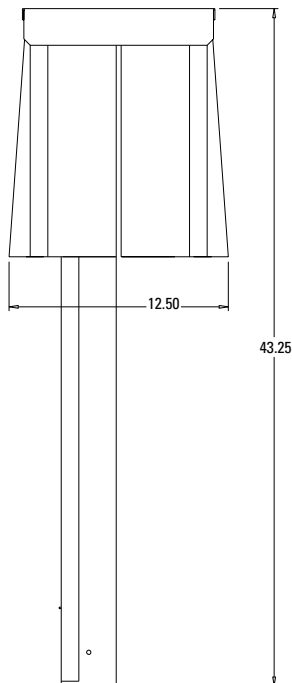
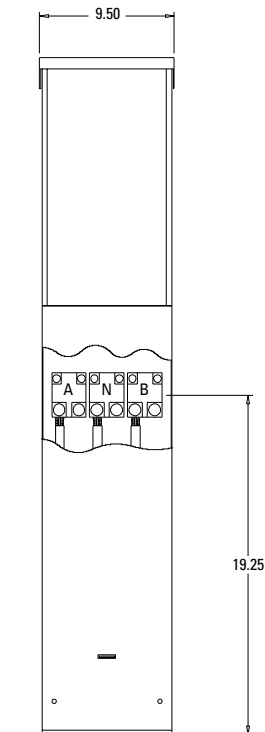
**UNMETERED PEDESTAL**



**METER LIGHTED SURFACE**



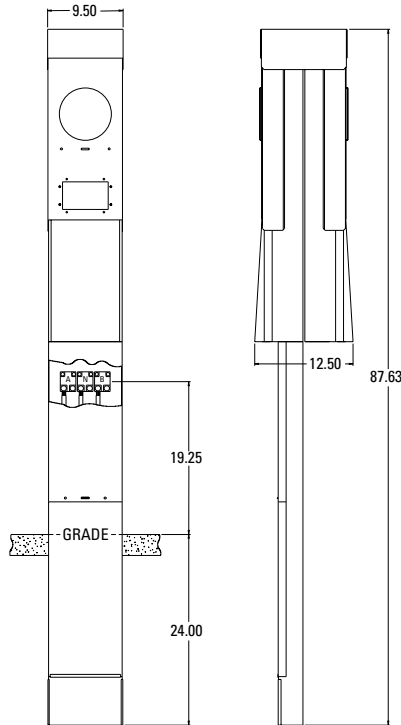
**METER AT BOTTOM SURFACE**



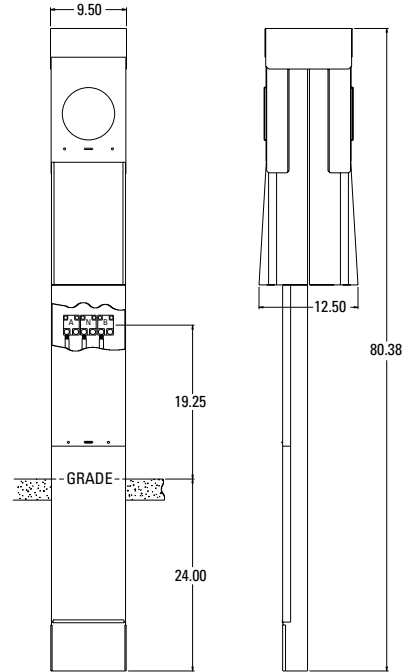
**UNMETERED PAD MOUNT  
BACK-TO-BACK-PEDESTAL**

# Temporary Power Outlet Panels

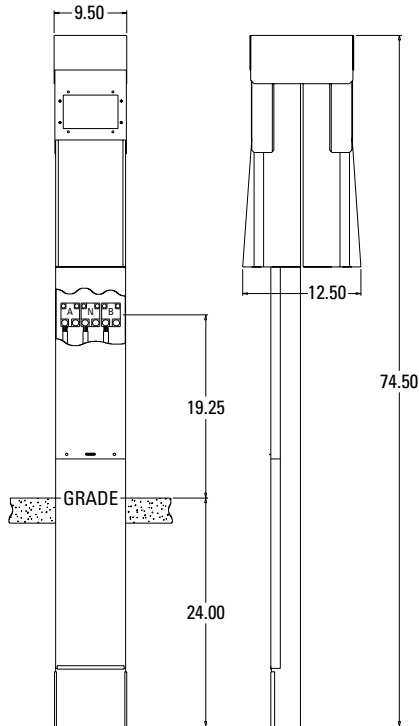
## Dimension Drawings



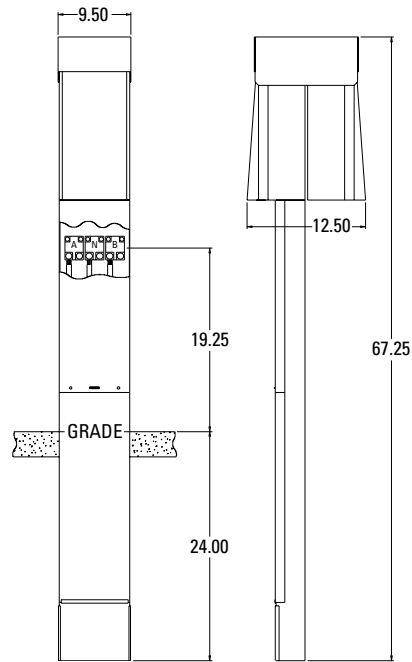
**METERED LIGHTED  
BACK-TO-BACK PEDESTAL**



**METERED BACK-TO-BACK  
PEDESTAL**



**UNMETERED LIGHTED  
BACK-TO-BACK PEDESTAL**

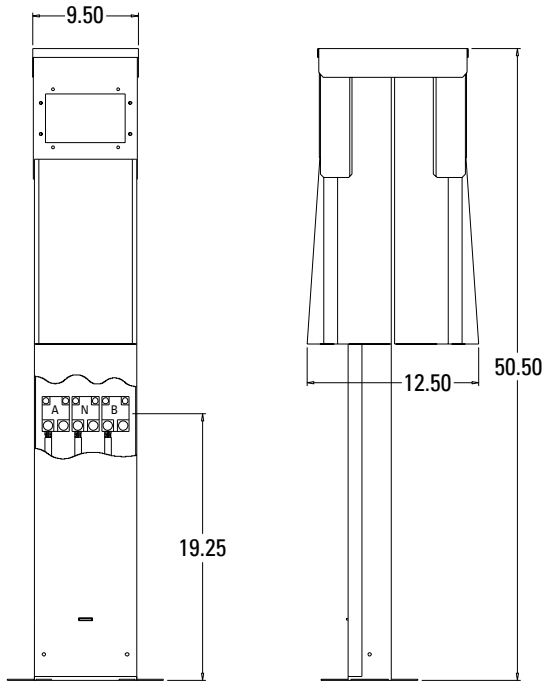


**UNMETERED BACK-TO-BACK  
PEDESTAL**

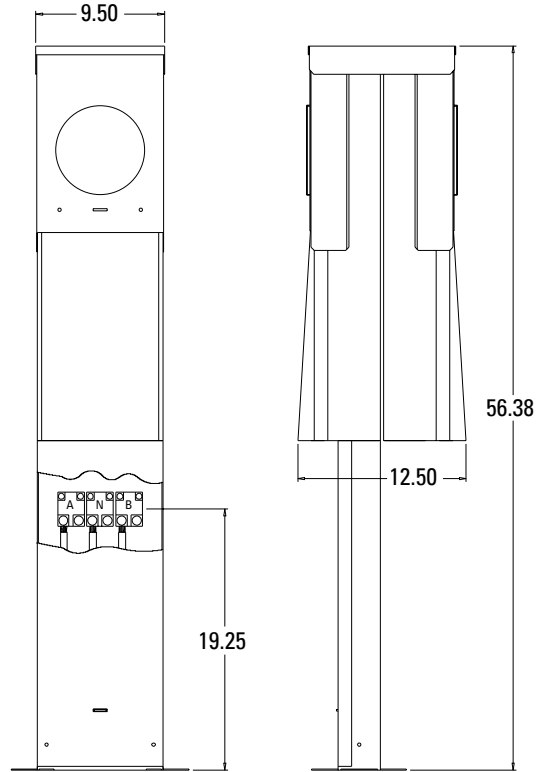
TEMPORARY POWER  
OUTLET PANELS 4

# Temporary Power Outlet Panels

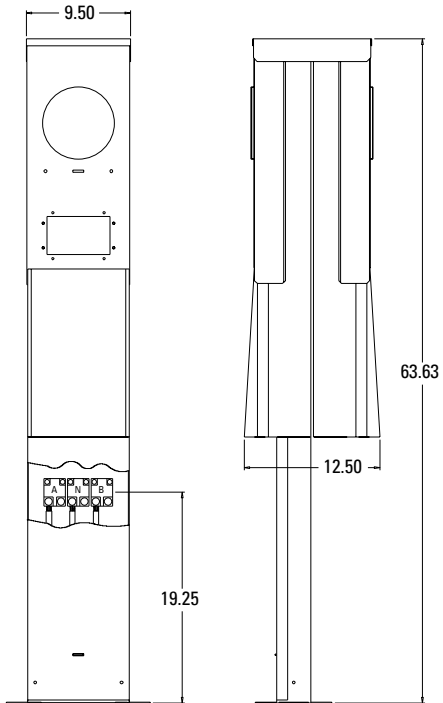
## Dimension Drawings



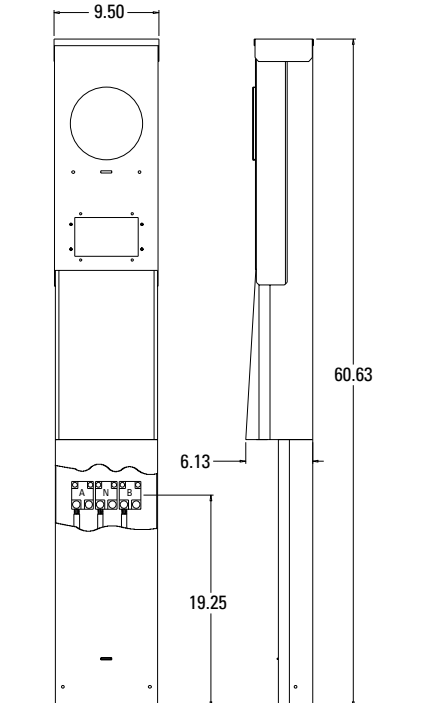
**UNMETERED LIGHTED PAD MOUNT  
BACK-TO-BACK-PEDESTAL**



**METERED PAD MOUNT  
BACK-TO-BACK PEDESTAL**



**METERED LIGHTED PAD MOUNT  
BACK-TO-BACK PEDESTAL**



**METERED LIGHTED PAD  
MOUNT PEDESTAL**

**4 TEMPORARY POWER  
OUTLET PANELS**