

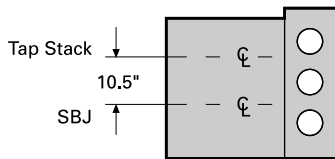
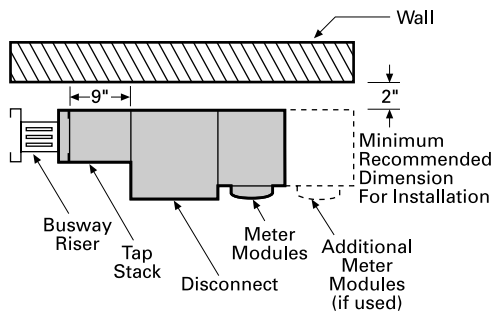
Meter Centers

Modular Metering: Bus Duct Modules

Busway Application

Siemens offers a direct busway to modular metering connection. When six or less disconnects are present a connection can be made directly to the meter module. If a main is needed Siemens offers breaker options up to 1200amps and switch options up to 800amps.

All breaker and switch modules are available with up to 100,000 AIC ratings, are UL listed, and carry a Nema 1 (indoor) rating. Common service entrance modules are listed to the right. Lead time may apply. See below for spacing considerations.



| Common Bus Duct Units (1) | | | | | |
|---------------------------|-------|----------------|----------------|----------------|---------------|
| Amperes (3) | Phase | Mechanism Type | Catalog Number | AIC Rating (2) | List Price \$ |
| 400 | 1 | JXD2 Breaker | MC4BD | 65,000 | 4777.00 |
| | 3 | | MC44BD | | 8017.00 |
| | 1 | Class T Fuse | MS4UBD | 100,000 | 2679.00 |
| | 3 | | MS44UBD | | 5023.00 |
| 600 | 1 | LXD6 Breaker | MC6BD | 65,000 | 7250.00 |
| | 3 | | MC64BD | | 12062.00 |
| | 1 | Class T Fuse | MS6UBD | 100,000 | 5231.00 |
| | 3 | | MS64UBD | | 9336.00 |
| 800 | 1 | JXD6 Breaker | MC8BD | 65,000 | 12264.00 |
| | 3 | | MC84BD | | 15773.00 |
| | 1 | Class T Fuse | MS8UBD | 100,000 | 8630.00 |
| | 3 | | MS84UBD | | 16254.00 |
| 1000 | 1 | NXD6 Breaker | MC10BD | 65,000 | 13348.00 |
| | 3 | | MC104BD | | 19686.00 |
| 1200 | 1 | NXD6 Breaker | MC12BD | 65,000 | 19445.00 |
| | 3 | | MC124BD | | 29152.00 |

- 1 - All devices are build to order. Tap stack & SBJ sold separately.
- 2 - 100K AIC Breaker Units available - contact sales office for more information.
- 3 - Alternate amperages for breaker modules available. Contact sales office for more info.

Tap Stacks[Ⓞ]

Tap stacks save space by connection Siemens' Sentron Busway directly to specially-designed Siemens circuit breaker, switch, or tap box modules. Common modules are listed above. Tap stacks require end-user to purchase an additional single bolt joint coupler and are for indoor use on end-feed applications only.



For inches / millimeters conversion, see Application Data section.

[Ⓞ] Tap stacks are produced with the busway. Contact sales office for more information.