

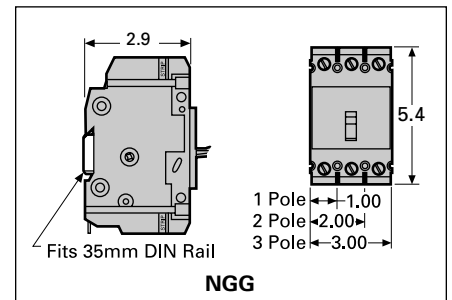
# Molded Case Circuit Breakers

## NGG 125A Frame

## Selection/Dimensions

Type NGG (Cable In - Cable Out)

Continuous Ampere Rating @ 40°C	1-Pole		2-Pole		3-Pole	
	Catalog Number	List Price \$	Catalog Number	List Price \$	Catalog Number	List Price \$
15	NGG1B015L <sup>①②</sup>	161.00	NGG2B015L <sup>③</sup>	504.00	NGG3B015L <sup>④</sup>	660.00
20	NGG1B020L <sup>①②</sup>	161.00	NGG2B020L <sup>③</sup>	504.00	NGG3B020L <sup>④</sup>	660.00
25	NGG1B025L <sup>②</sup>	161.00	NGG2B025L <sup>③</sup>	504.00	NGG3B025L <sup>④</sup>	660.00
30	NGG1B030L <sup>②</sup>	161.00	NGG2B030L <sup>③</sup>	504.00	NGG3B030L <sup>④</sup>	660.00
35	NGG1B035L <sup>②</sup>	161.00	NGG2B035L <sup>③</sup>	504.00	NGG3B035L <sup>④</sup>	660.00
40	NGG1B040L <sup>②</sup>	161.00	NGG2B040L <sup>③</sup>	504.00	NGG3B040L <sup>④</sup>	660.00
45	NGG1B045L <sup>②</sup>	161.00	NGG2B045L <sup>③</sup>	504.00	NGG3B045L <sup>④</sup>	660.00
50	NGG1B050L <sup>②</sup>	161.00	NGG2B050L <sup>③</sup>	504.00	NGG3B050L <sup>④</sup>	660.00
60	NGG1B060L	161.00	NGG2B060L	504.00	NGG3B060L	660.00
70	NGG1B070L	271.00	NGG2B070L	669.00	NGG3B070L	777.00
80	NGG1B080L	271.00	NGG2B080L	669.00	NGG3B080L	777.00
90	NGG1B090L	271.00	NGG2B090L	669.00	NGG3B090L	777.00
100	NGG1B100L	271.00	NGG2B100L	669.00	NGG3B100L	777.00
110	NGG1B110L	547.00	NGG2B110L	1339.00	NGG3B110L	1544.00
125	NGG1B125L	547.00	NGG2B125L	1339.00	NGG3B125L	1544.00



Line and load lugs are included as standard. If no lugs are required, remove the "L" suffix.  
HACR rated.  
Suitable for screws or DIN rail mounting.

### Shipping Weights

Number of Poles	Number per Carton	Shipping Weight lbs. (kg)
1	1	.75 (0.34)
2	1	1.3 (0.59)
3	1	2.0 (0.98)

### Lugs For 60/75°C Wire

NGG			
Ampere Rating	Wire Size	Catalog Number	List Price \$
15-30A	#14-#6 AWG Cu	TC1Q1 (qty. 1)	2.60
	#12-#6 AWG Al	3TC1Q1 (qty. 3)	7.20
35-125A	#8-1/0 AWG Cu #4-2/0 AWG Al	3TC1GG20 (qty. 3)	13.40
15-125A	Nut Keeper plate w/ screw (for crimp terminals)	TNKG3 (qty. 3)	17.90

### Interrupting Ratings

Breaker Type	Number of Poles	UL 489 AIR								IEC 947-2					
		RMS Symmetrical Amperes (KA)								Volts AC (50/60Hz)					
		Volts AC(50/60Hz)				Volts DC				220/240		380/415		Volts DC	
		120	240	277	347	480	600/347	125	125/250	Icu	Ics	Icu	Ics	125/250	
NGG	1	65	—	25	14	—	—	14	—	25	12.5	—	—	—	
	2, 3	—	65	—	—	25	14	—	14 <sup>③</sup>	65	33	25	12.5	14	

For inches / millimeters conversion, see Application Data section.

① SWD rated.

② HID rated at 15-50A 1-pole @ 277 VAC; 2 & 3-pole @ 480 VAC

③ 125/250V DC rating applies to 2-pole NGG only.

Enclosures Section 5  
Accessories pages 6-31 and 6-86 to 6-91