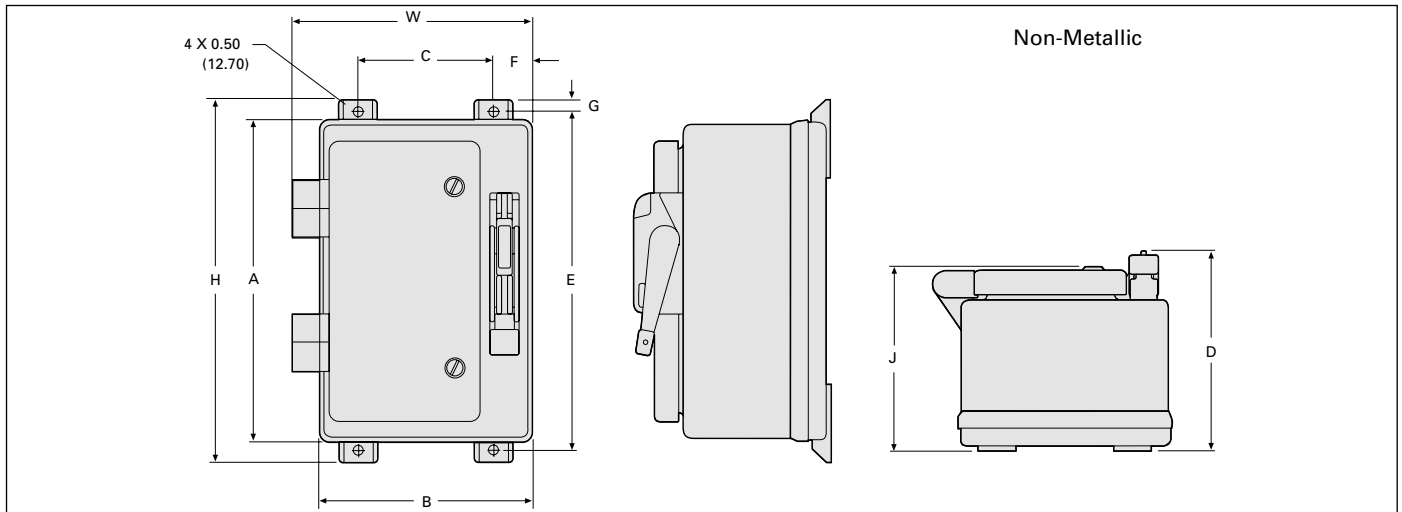


# Special Application Safety Switches Dimension Drawings

Non-Metallic

Dimensions



Catalog Number	Dimensions (Inches) Non-Metallic									
	H	W	D	A	B	C	E	F	G	J
HF321NX	18.75	12.11	10.25	16.59	10.97	7.00	17.50	1.98	.46	9.20
HF322NX	18.75	12.11	10.25	16.59	10.97	7.00	17.50	1.98	.46	9.20
HF361NX <sup>Ⓞ</sup>	18.75	12.11	10.25	16.59	10.97	7.00	17.50	1.98	.46	9.20
HF362NX <sup>Ⓞ</sup>	18.75	12.11	10.25	16.59	10.97	7.00	17.50	1.98	.46	9.20
HF363NX <sup>Ⓞ</sup>	26.95	14.87	13.25	24.84	13.72	6.25	25.75	3.75	.46	12.15
HF364NX <sup>Ⓞ</sup>	33.41	27.47	13.19	31.31	26.31	18.50	32.25	3.91	.47	12.10
HNF361X <sup>Ⓞ</sup>	18.75	12.11	10.25	16.59	10.97	7.00	17.50	1.98	.46	9.20
HNF362X <sup>Ⓞ</sup>	18.75	12.11	10.25	16.59	10.97	7.00	17.50	1.98	.46	9.20
HNF363X <sup>Ⓞ</sup>	26.95	14.87	13.25	24.84	13.72	6.25	25.75	3.75	.46	12.15
HNF364X <sup>Ⓞ</sup>	33.41	27.47	13.19	31.31	26.31	18.50	32.25	3.91	.47	12.10

3 SAFETY SWITCHES

## VBI Interlocked Receptacle Switches

Ampere Rating	Dimensions (Inches)						
	A	B	C	D	E	F	G

### Cr-H Type Fusible (240 & 600V)

30	14.27	7.42	9.02	6.22	1.52	6.1	6.0
60	16.27	9.17	11.47	6.34	1.52	6.4	7.4
100	21.96	9.65	12.02	6.80	1.52	6.5	7.6

### Cr-H Type Non-Fusible (600V max.)

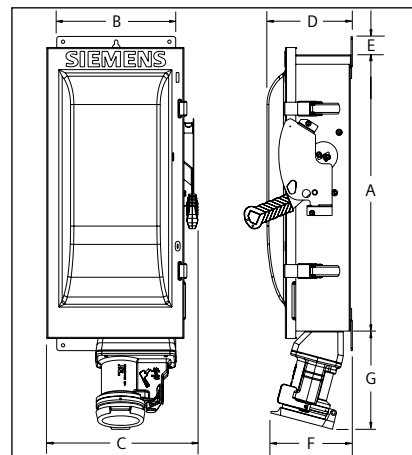
30	14.27	7.42	9.02	6.22	1.52	6.1	6.0
60	16.27	9.17	11.47	6.34	1.52	6.4	7.4
100	21.96	9.65	12.02	6.80	1.52	6.5	7.6

### Pyle-National Type Fusible (240 & 600V)

30	14.27	7.42	9.02	6.22	1.52	3.5	3.0
60	16.27	9.17	11.47	6.34	1.52	5.0	4.5

### Pyle-National Type Non-Fusible (600V max.)

30	14.27	7.42	9.02 <sup>Ⓞ</sup>	6.22	1.52	3.5	3.0
60	16.27	9.17	11.47 <sup>Ⓞ</sup>	6.34	1.52	5.0	4.5



\*For inches / millimeters conversion, multiply inches by 25.4.

<sup>Ⓞ</sup> Dimensions also apply to "L" suffix switches (less lugs).