

AS-Interface Slaves

SIRIUS Pushbuttons and Indicator Lights

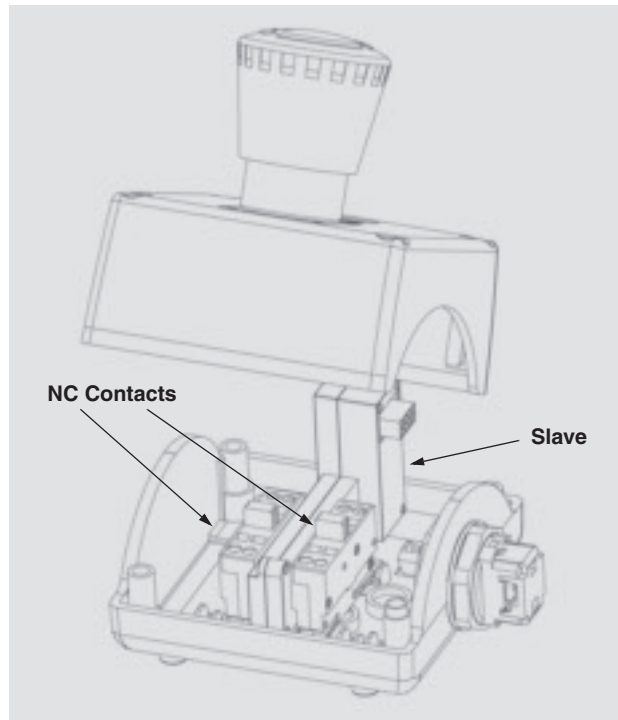
AS-Interface assembled enclosures

Overview



With AS-Interface enclosures, SIRIUS 3SB3 control devices can be quickly integrated into AS-Interface.

Design



The enclosures without Emergency Stop operators contain a 4I/3O slave. Emergency Stop enclosures include the safe slave within the enclosure.

The contact blocks, lampholders, and the AS-Interface snap into the base of the enclosure. They are all connected by cables.

Emergency Stop enclosures include two NC Contact Blocks and the safe slave, required by safety standards.

The module is addressed using the AS-Interface connections or the integrated addressing socket. It is not necessary to supply external power.

The molded plastic enclosures are provided with a connection for the AS-Interface formed cable using the piercing method. In the metal enclosures, the AS-Interface formed cable is routed into the enclosure through a cable gland connection.

1

2

3

4

5

6

7

8

9

10

AS-Interface Slaves

SIRIUS Pushbuttons and Indicator Lights

AS-Interface assembled enclosures

Selection and Ordering data	Order No.	List Price \$ 1 unit
AS-Interface enclosure, molded plastic with standard components		
<i>Components</i> <i>(A, B, C = code letters of the command points)</i>	<i>Number of command points</i>	
A = EMERGENCY STOP mushroom pushbutton via AS-Interface adapter, top of enclosure yellow	1	3SF5 811-0AA08 164.00
A = EMERGENCY STOP mushroom pushbutton via AS-Interface adapter, top of enclosure yellow, with protective collar	1	3SF5 811-0AB08 171.00
B = green pushbutton, "I" label A = red pushbutton, "O" label	2	3SF5 812-0DA00 165.00
B = white pushbutton, "I" label A = black pushbutton, "O" label	2	3SF5 812-0DB00 165.00
C = clear indicator lamp, label without inscription B = green pushbutton, "I" label A = red pushbutton, "O" label	3	3SF5 813-0DA00 179.00
C = clear indicator lamp, label without inscription B = white pushbutton, "I" label A = black pushbutton, "O" label	3	3SF5 813-0DC00 179.00
C = black indicator lamp, "II" label B = black pushbutton, "I" label A = red pushbutton, "O" label	3	3SF5 813-0DB00 179.00
AS-Interface enclosure, metal, with standard components		
<i>Components</i> <i>(A, B, C = code letters of the command points)</i>	<i>Number of command points</i>	
A = EMERGENCY STOP mushroom pushbutton via AS-Interface adapter, top of enclosure yellow	1	3SF5 811-2AA08 178.00
A = EMERGENCY STOP mushroom pushbutton via AS-Interface adapter, top of enclosure yellow, with protective collar	1	3SF5 811-2AB08 198.00
B = green pushbutton, "I" label A = red pushbutton, "O" label	2	3SF5 812-2DA00 179.00
B = white pushbutton, "I" label A = black pushbutton, "O" label	2	3SF5 812-2DB00 179.00
C = clear indicator lamp, label without inscription B = green pushbutton, "I" label A = red pushbutton, "O" label	3	3SF5 813-2DA00 200.00
C = clear indicator lamp, label without inscription B = white pushbutton, "I" label A = black pushbutton, "O" label	3	3SF5 813-2DC00 200.00
C = black indicator lamp, "II" label B = black pushbutton, "I" label A = red pushbutton, "O" label	3	3SF5 813-2DB00 200.00

AS-Interface Slaves

SIRIUS Pushbuttons and Indicator Lights

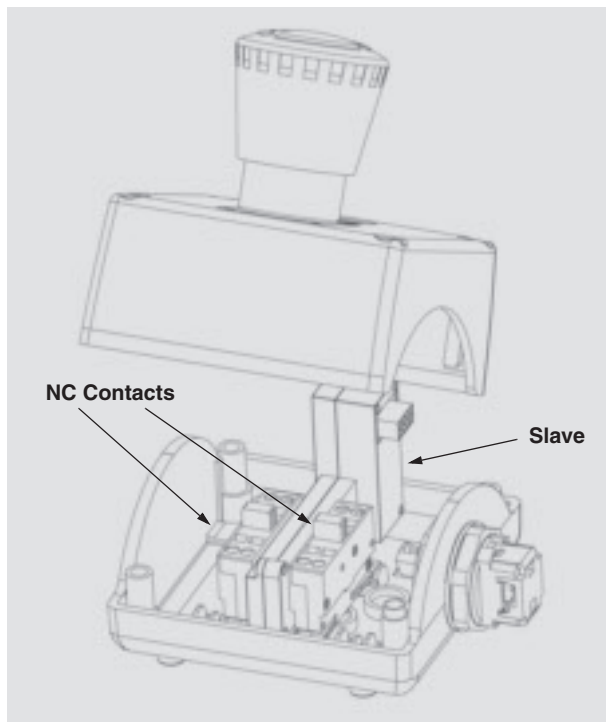
AS-Interface assembled enclosures

Overview



With AS-Interface enclosures, SIRIUS 3SB3 control devices can be quickly integrated into AS-Interface. With the help of the components, enclosures with integrated AS-Interface can be installed easily or offer flexibility to existing enclosures.

Design



The enclosures with integrated AS-Interface are equipped with contact blocks and LED lampholders with spring-loaded technology.

Empty enclosures, contact blocks, LED lampholders, and operators can be found on Section 10/77.

AS-Interface modules, cable sets and a connector are required to integrate the contact blocks and LED lampholders.

The following slave types are available:

- Slave in A/B technology with 4 inputs and 3 outputs
- Slave with 4 inputs and 4 outputs
- F-slave with 2 safe inputs

The following table shows the maximum number of slaves that can be used:

Enclosure for	Number of slaves for enclosures without emergency stop	Number of slaves for enclosures with emergency stop
1 pilot device	Not possible	1x F-slave
2 pilot devices	1 x slave 4I/4O or 4I/3O	Not possible
3 pilot devices	1 x slave 4I/4O or 4I/3O	1 x slave 4I/4O or 4I/3O + 1 x F slave
4 pilot devices	2 x slave 4I/4O or 4I/3O ¹⁾	2 x slave 4I/4O or 4I/3O + 1 x F slave ¹⁾
6 pilot devices	2 x slave 4I/4O or 4I/3O	2 x slave 4I/4O or 4I/3O + 1x F slave

1) Only 1 x slave 4I/4O or 4I/3O possible for metal enclosures.